

PC-2268 PC-2268WP Ceiling Speaker



DESCRIPTION

The PC-2268/PC-2268WP are surface-mount speakers designed for installation on ceilings where built-in speakers cannot be installed. The speakers can even be installed to an electrical switch box. The compact, stylish appearance of the speaker units ensures they blend well with any architectural decor. The speakers are rear-closed with a rear cover to maintain constant performance and sound quality regardless of where they are installed. The rear case also serves to keep foreign matter from entering the speaker unit, and makes the unit highly durable. The new PC-2268WP (PC-2268WP can be mounted on ceiling only) is a splash-proof model that may be installed in such locations as rooms with high humidity, as well as under eaves and connecting corridor. A push-in type input terminal provides easy cable connection, while also allowing bridge wiring. The rated input is 6W for a 100V line and 3W for a 70V line, with input power modifications easily carried out by changing the transformer tap position.

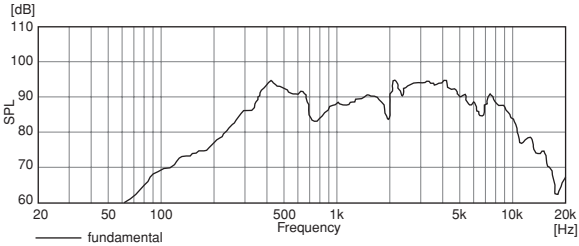
FEATURES

- Clearly audible vocal and smooth sound reproduction for easy-to-hear broadcasts.
- PC-2268: Ideal for such applications as shopping malls, restaurants, offices, hospitals, and many more.
- PC-2268WP: Ideal for such locations as rooms with high humidity, under eaves, connecting corridor and so on.
- Contemporary low-profile design that blends perfectly with interior decor.
- Fire-resistant enclosure with HIPS resin front and rear cases.
- IPX4 compliant splash-proof construction (PC-2268WP only)
- Easy installation thanks to lightweight unit and locking rotational securing of front and rear cases.
- Application versatility with transformer tap position input power changes.

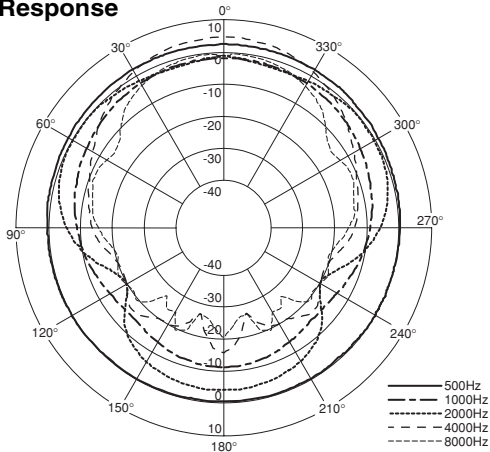


CHARACTERISTIC DIAGRAMS

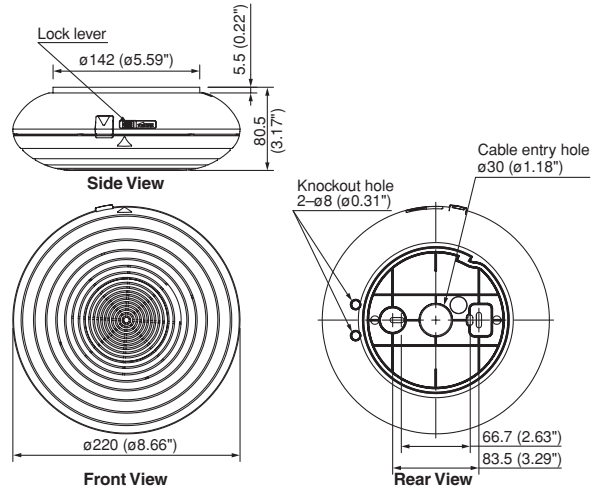
SPL vs. Frequency



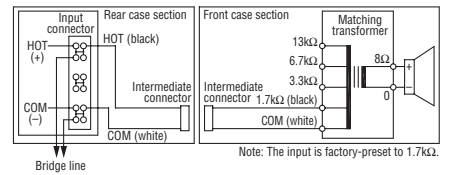
Polar Response



APPEARANCE AND DIMENSIONAL DIAGRAM

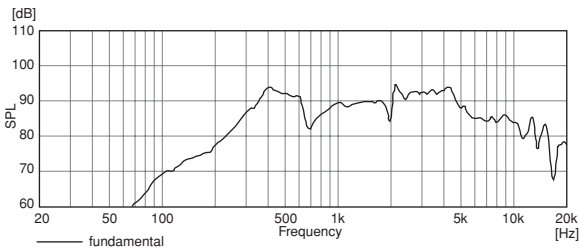


Wiring Diagram

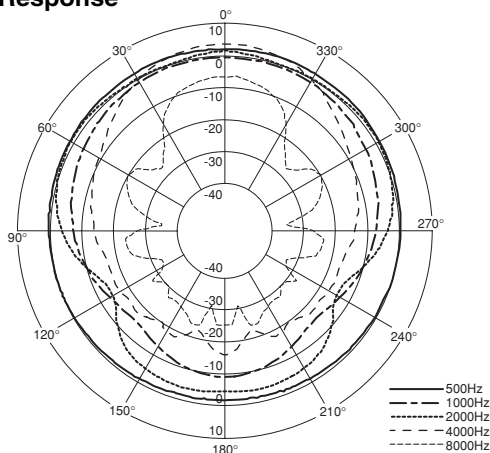


CHARACTERISTIC DIAGRAMS

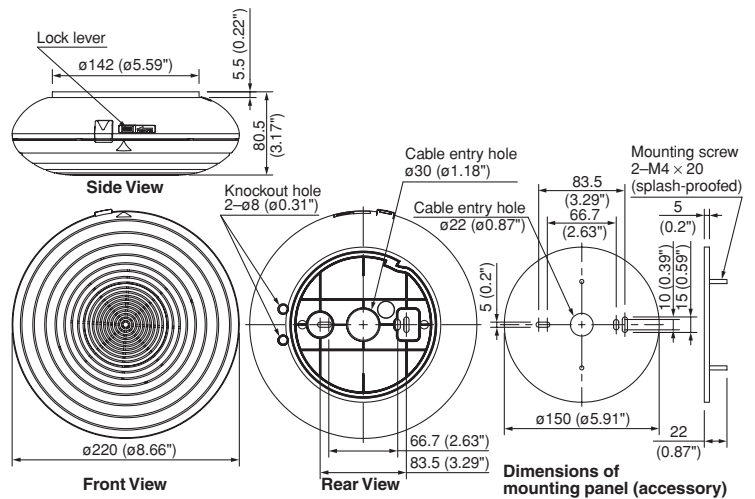
SPL vs. Frequency



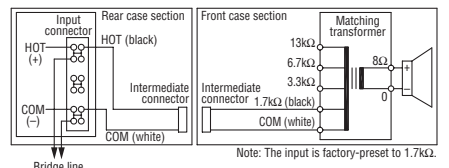
Polar Response



APPEARANCE AND DIMENSIONAL DIAGRAM



Wiring Diagram



SPECIFICATIONS

Model No.	PC-2268	PC-2268WP
Rated Input	6W (for 100V line), 3W (for 70V line)	
Rated Impedance	100V line: 1.7kΩ (6W), 3.3kΩ (3W), 6.7kΩ (1.5W), 13kΩ (0.8W) 70V line: 1.7kΩ (3W), 3.3kΩ (1.5W), 6.7kΩ (0.8W), 13kΩ (0.4W)	
Sensitivity (1W, 1m)	90dB (330 – 3,300Hz, pink noise)	
Frequency Response	160 – 14,000Hz (20dB below peak)	160 – 16,000Hz (20dB below peak)
Speaker Component	12cm (5") cone-type	
Applicable Cable	600V vinyl-insulated cable (IV wire or HIV wire) Solid copper wire: ø0.8 – ø1.6mm (equivalent to AWG 20 – 14) 7-core twisted copper wire: 0.75 – 1.25mm ² (equivalent to AWG 18 – 16)	
Connection	Push-in connector (bridging terminal)	
Operating Temperature	-10°C to +50°C (14°F to 122°F)	
Dust/Water Protection	—	IPX4
Finish	Front case, Rear case: Fire-resistant HIPS resin (resin material grade: UL-94 V-0 or its equivalent), light gray	Front case, Rear case: Fire-resistant HIPS resin (resin material grade: UL-94 V-0 or its equivalent), light gray Speaker mounting bracket: Surface-treated steel plate, off-white, powder coating
Dimensions	ø220 × 80.5 (D) mm (ø8.66" × 3.17") (excluding projection)	ø220 × 80.5 (D) mm (ø8.66" × 3.17") (unit only, excluding projection) ø150 × 5 (D)mm (ø5.91" × 0.2") (speaker mounting panel, excluding mounting screw)
Weight	880g (1.94 lb)	890g (1.96 lb) (unit only), 180g (0.40 lb) (speaker mounting panel)
Accessories	Switch box mounting screw (M4 × 35) × 2, Ceiling mounting screw (4 × 35) × 2	Speaker mounting panel × 1, Switch box mounting screw (M4 × 35) × 2, Ceiling mounting screw (4 × 35) × 2, Knob nut × 2

Note: The speaker is designed for indoor use. Avoid installing it in the following locations
Failure to follow this instruction could result in equipment failure or cause the speaker to fall due to deterioration of its mounting parts.

1. Locations directly exposed to salt water near the seashore
2. Locations where rainwater could enter the unit
3. Locations exposed to constant vibration
4. Indoor swimming pools or such locations where liquid chemicals are used
5. Kitchens or such locations where grease or oily smoke is generated
6. Steamy, humid, or dusty locations

Note: Although the speaker meets IPX4 splash-proof requirements, avoid installing it in the following locations, including outdoor locations where it may be directly exposed to wind and rain. Failure to follow this instruction could result in equipment failure or cause the speaker to fall due to deterioration of its mounting parts.

1. Locations directly exposed to salt water near the seashore
2. Locations where rainwater or other liquids could enter the speaker through cable tubing, cable materials, mounting box, etc.
3. Locations exposed to constant vibration
4. Indoor swimming pools or such locations where liquid chemicals are used
5. Kitchens or such locations where grease or oily smoke is generated

ARCHITECTURAL AND ENGINEERING SPECIFICATIONS

PC-2268

The speaker shall be a surface-mount broadcast unit suitable for wall or ceiling installations where built-in speakers cannot be installed. Installation to an electrical box shall be possible. The speaker shall reproduce clearly audible vocal and smooth sound for easy-to-hear broadcasts in shopping malls, restaurants, offices and hospitals. The speaker component shall be a 12 cm (5") cone-type speaker. Rated input shall be 6W for a 100V line application, and 3W for a 70V line application, with changes made by switching the transformer tap position (6W, 3W, 1.5W, 0.8W at 100 V and 3W, 1.5W, 0.8W, 0.4W at 70V). Speaker connection shall be by a push-in connector with a bridging terminal. The sensitivity at a distance of 1m with a 1W input level applied shall be 90dB. The speaker shall have a frequency response of 160 – 14,000 Hz.

The speaker shall have an operating temperature of -10° C to +50° C (14° F to 122° F). The speaker enclosure shall be front and rear cases of light-gray fire-resistant HIPS resin, with locking rotational closure. The design shall blend well with any architectural decor. Dimensions shall be ø220 × 80.5 (D) mm (ø8.66" × 3.17"). Weight shall be 880g (1.94 lb). Screws for ceiling-mount and switch-box-mount shall be available.

The surface-mount speaker shall be TOA model PC-2268.

PC-2268WP

The speaker shall be a splash-proof surface-mount broadcast unit suitable for ceiling installations where built-in ceiling speakers cannot be installed. Installation to an electrical box shall be possible. The speaker shall reproduce clearly audible vocal and smooth sound for easy-to-hear broadcasts in such locations as rooms with high humidity, under eaves and connecting corridor. The speaker component shall be a waterproofed 12 cm (5") cone-type speaker. Rated input shall be 6W for a 100V line application, and 3W for a 70V line application, with changes made by switching the transformer tap position (6W, 3W, 1.5W, 0.8W at 100 V and 3W, 1.5W, 0.8W, 0.4W at 70V). Speaker connection shall be by a push-in connector with a bridging terminal. The sensitivity at a distance of 1m with a 1W input level applied shall be 90dB. The speaker shall have a frequency response of 160 – 16,000 Hz.

The speaker shall have a splash-proof rating of IPX4. Accessory speaker mounting panel shall enhance the speaker's splash-proof performance. The speaker shall have an operating temperature of -10° C to +50° C (14° F to 122° F). The speaker enclosure shall be front and rear cases of light-gray fire-resistant HIPS resin, with locking rotational closure. The design shall blend well with any architectural decor. Dimensions shall be ø220 × 80.5 (D) mm (ø8.66" × 3.17"). Weight shall be 890g (1.96 lb). Screws for ceiling-mount and switch-box-mount and knob nuts shall be available.

The splash-proof surface-mount speaker shall be TOA model PC-2268WP.