

The SC-610M is a compact, highly intelligible speaker suited to public address announcement applications. Its external speaker component finished with powder coating, and stainless steel bracket and screws ensure the unit's weatherproof capability.

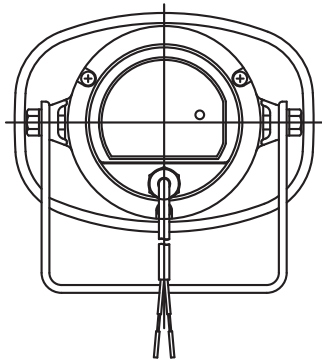


Article number: SC-610M EU
Alternative products: SC-615M, SC-630M

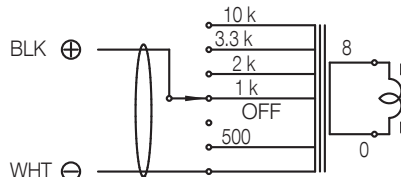
Specifications

Dimensions (W x H x D)	172 x 161 x 188 mm
Dimensions (ø x D)	x 188 mm
Finish	Aluminium, powder coating, off-white (RAL 9010 or equivalent),
Operating temperature	-20 °C to +55 °C (must be free from dew condensation)

Appearance



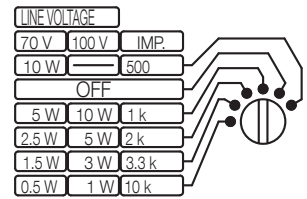
Rear View



(Transformer connection when the speaker is supplied from the factory)

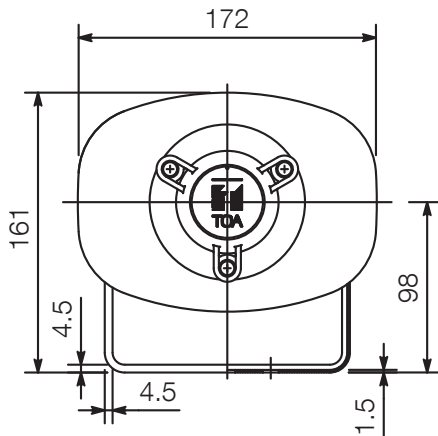
Wiring diagram

CAUTION
NEVER SET THE SWITCH TO " " POSITION FOR 100 V LINE OPERATION, AS DOING SO MAY RESULT IN DAMAGE TO THE SPEAKER.

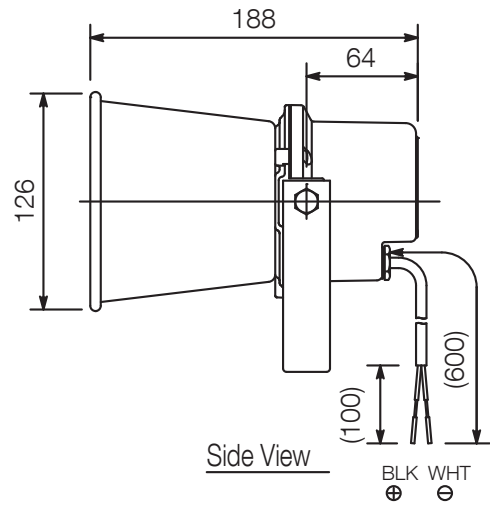


Set the impedance selector to the desired impedance.

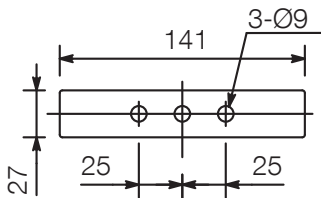
Impedance selection



Front View



Side View



Bracket dimensional diagram

UNIT:mm

SCALE:1/5

Note: Numerical values in parentheses are for reference only.