



Gas monitor for inside furnace



- MODEL**
- **GD-A2400**
 - **SD-2500**
 - **SD-2600**
 - **SD-2700**

ATEX approval

Ex d IIC T3Gb (GD-A2400 & SD-2500)
Ex d IIC T2Gb (SD-2600)

Features

- Long sensor head (250mm in length)
- Operating in high temperature
 - 0–250°C : SD-2700
 - 0–200°C : SD-2600
 - 0–160°C : SD-2500 GD-A2400
- Integrated with indicator unit :
 - SD-2500 SD-2600 SD-2700
- Easy operation with control key :
 - SD-2500 SD-2600 SD-2700

Application

- Dry furnace for solvent (especially high-boiling solvent)
- Lithium-ion battery factory
- Gravure printing
- Engine test laboratory

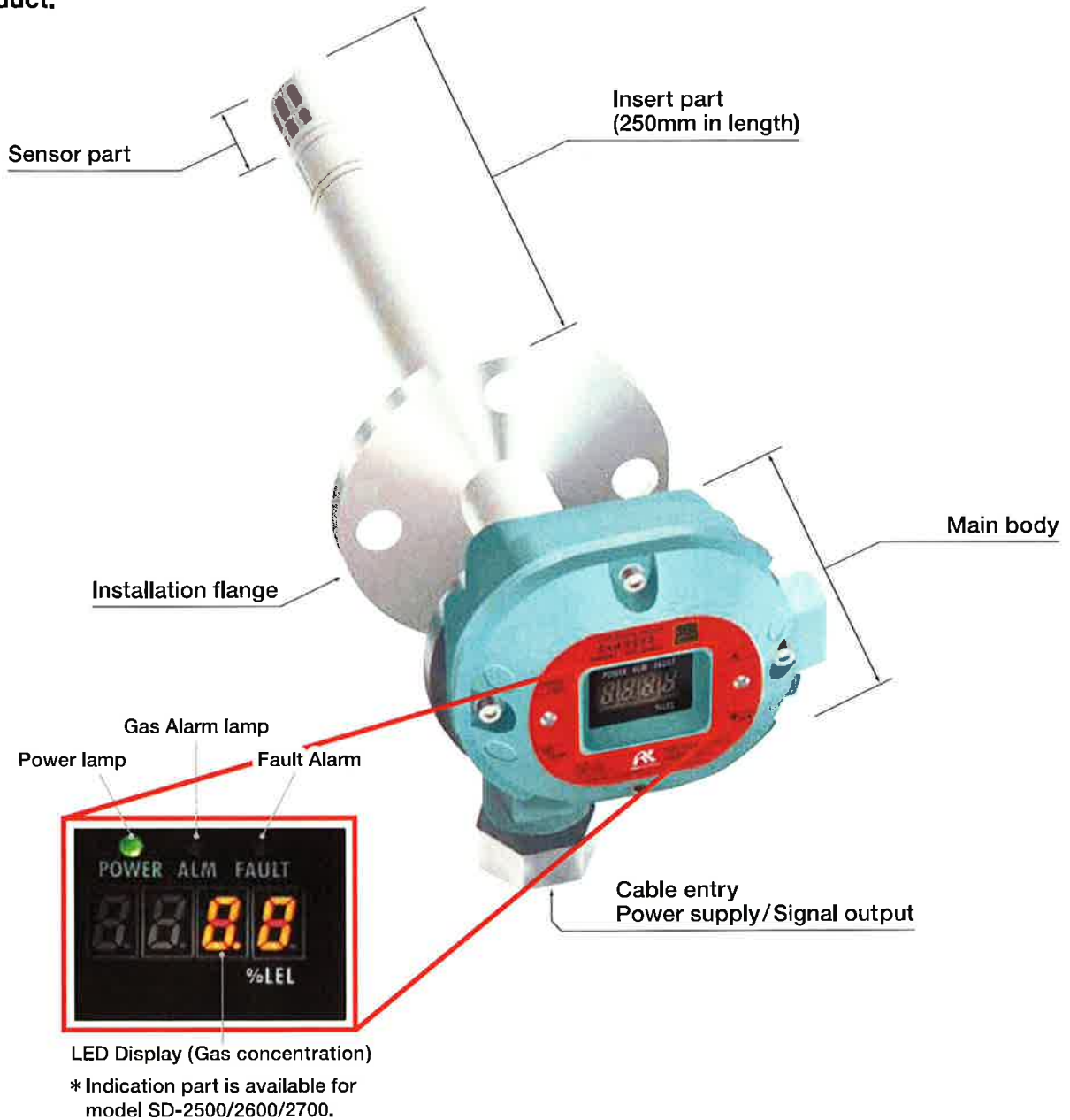


ISO 9001 954X / 097
ISO 14001 97ER - 005
TOKYO PLANT - OKAZAWA MANUFACTURING
DIVISION - HAKODATE FACTORY

RIKEN KEIKI Co., Ltd.

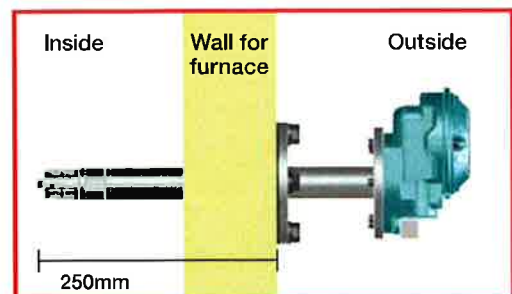
COMPONENT DESIGNATIONS

Model GD-A2400 & SD-2500/2600/2700 are direct insert and diffusion sampling detectors. They have long sensor nose(250mm), and the nose can be installed in high temperature. These models are the perfect detectors for monitoring combustible gases inside furnace and duct.



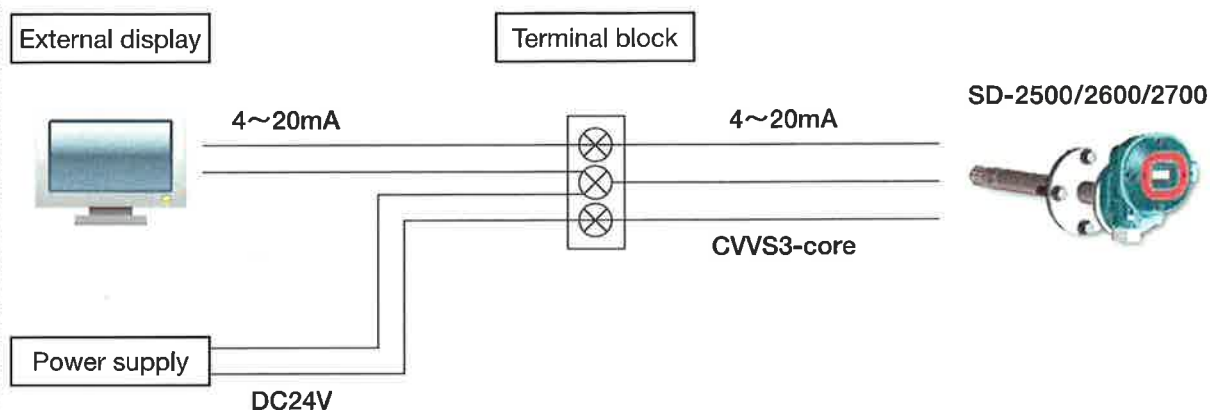
Advantages

- High-temperature (Insert part)**
 - <Explosion proof type>
 - GD-A2400/SD-2500 : -20°C ~ +160°C
 - SD-2600 : -20°C ~ +200°C
 - <Non-Explosion proof type>
 - SD-2700 : -20°C ~ +250°C
- Long sensor nose**
 - Nose length : 250mm (insert part)



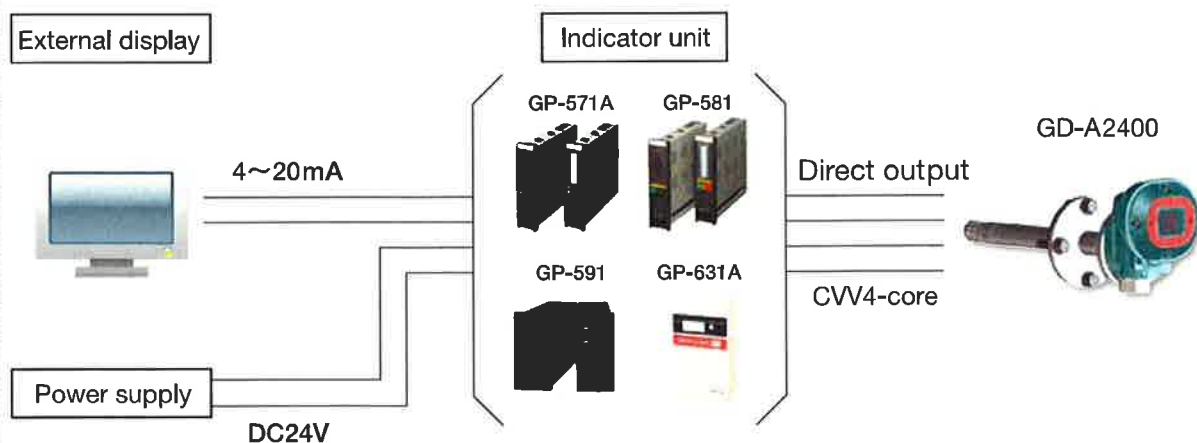
System Configuration

Connecting diagram between SD-2500/2600/2700 and External display.



Output for gas concentration from GD-2500/2600/2700 is 4-20mA. Directly transmittable from SD-2500/2600 to external display without indicator unit.

Connecting diagram between GD-A2400 and external display.



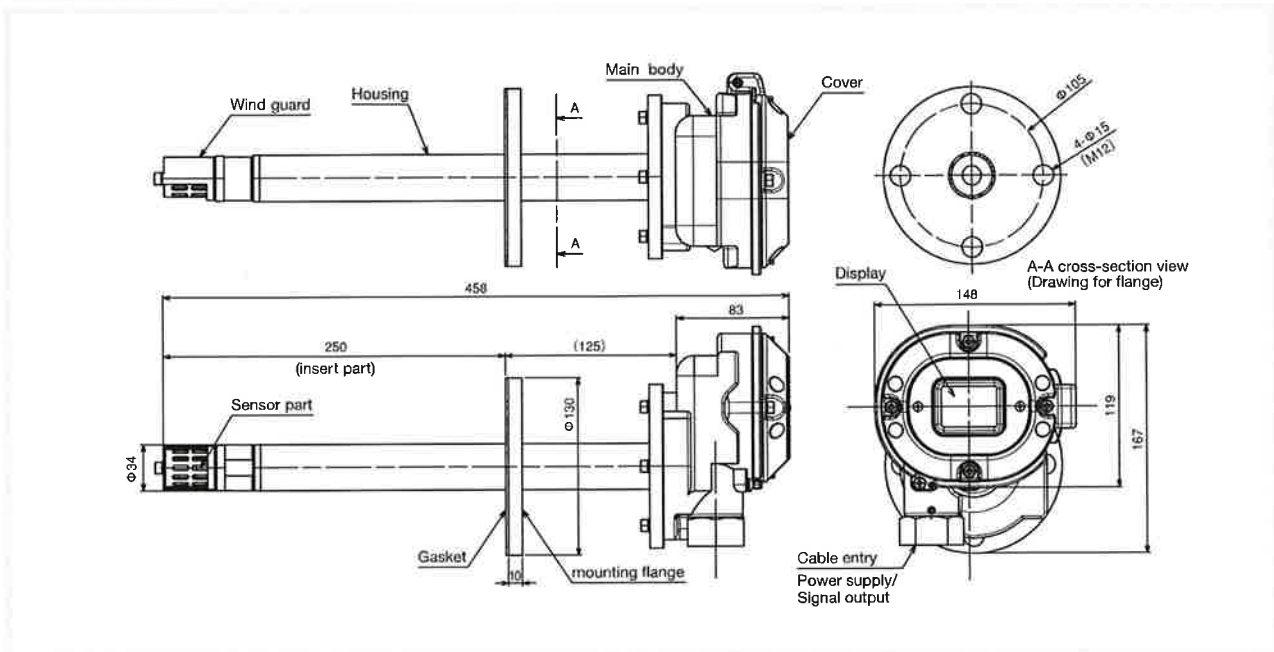
Output for gas concentration from GD-A2400 is the same kind with GD-A250. Existing indicator unit for GD-A250 can be used for GD-A2400.

Specifications

Model	GD-A2400	SD-2500	SD-2600	SD-2700
Detection principle	Catalytic combustion			
Target gas	NMP (N-methylpyrrodidone)		Combustible gases	
Detection method	Direct Insert			
Explosion-proof	Flame-proof Exd IICT3		Flame-proof Exd IICT2	Non explosion proof
Operating temperature	Insert part : -20 ~ +160°C Main-body : -20 ~ +50°C		Insert-part : -20 ~ +200°C Main-body : -20 ~ +50°C	Insert-part : -20 ~ +250°C Main-body : -20 ~ +50°C
Detection range	0-100%LEL			
Display	No (Indicator unit is necessary)	7segment LED (4-digit)		
Output	Direct output to Indicator unit	Gas concentration 4-20mA		
Alarm contacts	From Indicator unit	Gas alarm (standard) or Trouble alarm (Option) : Normally open Contact rating : DC30V 0.5A, or AC250V 0.5A (Resist rating)		
Cable	CVVS 1.25sq 4-core	CVVS 1.25sq 3-core (Power supply +4-20mA)		
Power source	From Indicator unit	DC24V±10%, Consumption power : Approx.3W(Max)		
Dimension / Weight	Insert part : 34 × 250, Main body : 148 (W) × 161 (H) × 88 (D) mm / Approx. 4.6Kg			
Standard accessories	Control lever	Control Key, Control lever		

Specifications subject to change without notice.

Outer Dimensions



★ Distributed by:

RIKEN KEIKI Co.,Ltd.

2-7-6 Azusawa, Itabashi-ku, Tokyo 174-8744, Japan

Phone : +81-3-3966-1113

Telefax : +81-3-3558-9110

E-mail : intdept@rikenkeiki.co.jp

Web site : <http://www.rlkenkeiki.co.jp>