

OIL FILM DETECTOR  
(Long-distance correspondence Version)

ODL-1610A

The Model ODL-1600A monitors a water surface for the presence of an oil film floating on the surface. The instrument projects a laser beam onto the water surface and measures the differences in the reflection properties between water and oil.

The ODL-1610A is an enhanced version of the existing oil-on-water monitor model ODL-1600, a device which is specially designed for long distance detection. While this model inherits the proven technology employed in the existing model, such as laser scanning and high-speed pulsing, it also comes with a larger condensing mirror and other new enhancements. The addition of this larger mirror allows the detector to be installed as high as 10m above the surface of the water.



## Features

Non contact detection system.

Scanning laser beam system provides enhanced detection even under difficult surface conditions such as the presence of floating debris, bubbles or curved oil surfaces.

The laser scanning system does not contain any rotating or sliding parts. In place of these parts, the system comes with a scanning mirror that is actuated by resonant oscillation produced by two reliable piezoelectric elements (bimorph elements) attached to the mirror. This structure eliminates the need for disposable parts used in laser scanning, thus providing greater durability and reliability during non-stop operation.

The ODL-1610 is equipped with a built-in micro-computer that can configure and store multiple operating parameters. This provides greater flexibility for conducting operations in a variety of sensing environments. In addition, the device also comes with a number of useful functions for support maintenance operations, such as monitoring the sensitivity of the light sensor to reflected light, storing oil-on-water and abnormal alarm history data, and comprehensive self-diagnostics.

The instrument is also capable of detecting leakage of water or oil on dry surfaces.

The enhanced optical design allows the detector to be installed at heights of 0.3 to 10 m above the surface of the water. (See the Installation Conditions section for details.)

This extensive range enables you to install the detector in locations where the water level fluctuates greatly or where it is difficult to come close to the surface of the water.

Simple, easy to adjust mounting brackets allow easy installation and maintenance.

A single transmitter can control up to two detectors (optional).

## Specifications

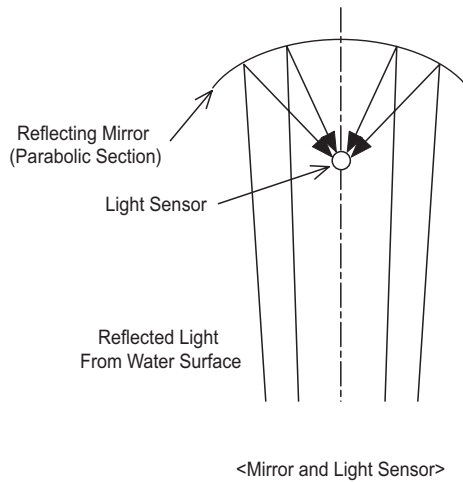
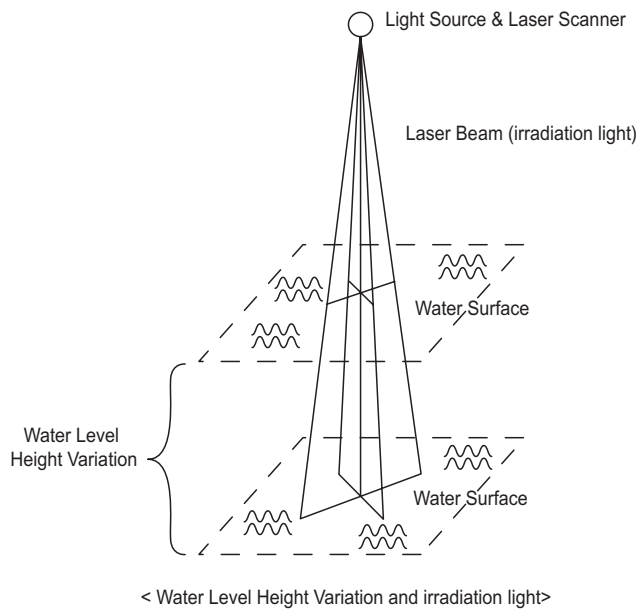
<p>Product Name : Oil Film Detector (Long-distance correspondence Version)</p> <p>Model Code : ODL-1610A</p> <p>Measurement Object : Oil slick floating on water surface or dry surface (floor)</p> <p>Measurement Method : Reflectance of visible light</p> <p>Sensor Distance : 0.3m - 10m above water or floor surface</p> <p>Light Source : Class 2 semiconductor laser diode (red)</p> <p>Configuration : Detector and transmitter housed in separate enclosures.</p> <p>Ingress Protection : Dust proof and jet-water resistant IP65</p> <p>Ambient Conditions : Temperature ; -10 - 50°C Humidity ; 5 - 95%RH</p> <p>Sample Temperature : No freezing</p> <p>Transmission output signals : 4 - 20mADC (maximum load resistance of 600Ω), isolated</p> <p>A transmitter can be used to specify one of the following modes for analog output:</p> <p>①Standard output mode Normal conditions; Approximately 10.4mA (still water) Oil film present; Approximately 13.6mA or more Undetectable conditions; Approximately 4mA (no reflectance)</p> <p>②ODL-20 compatibility mode Normal conditions; 18mA (fixed value) Oil film present; 20mA (fixed value) Undetectable conditions; 16mA (fixed value)</p> <p>The burnout alarm function can be used in mode①</p> <p>When oil-on-water alarm is ON; 21mA (fixed value)</p> <p>When undetectable alarm is ON; 3mA (fixed value)</p> <p>(Abnormal alarm conditions include both measurement errors and instrument malfunctions.)</p>	<p>Alarm contact output signals : Total of 6 available alarm contacts (5 for "a" or "b" contacts*1, 1 for "c" contact) *1; Specify "a" or "b" when placing an order. Contact capacity; 240VAC, 1A or 30VDC, 1A (resistance load) The following alarm contact outputs can be freely assigned; ①power-off, ②maintenance, ③oil-on-water alarm, ④measurement error, and ⑤instrument error. The same output can be selected in duplicate. However, contact output 1 is fixed for the power-off signal.</p> <p>Digital Communication System : - Based on RS-485 (isolated) - Available Baud rates ; 2400, 4800, 9600, 19200, 38400, 57600 - Protocol ; Modbus / RTU - Data length ; 8 bits - Parity ; select from NONE, ODD, EVEN - Stop bits ; 1 Bit - Data Order ; BIG ENDIAN</p> <p>Operating Power Consumption : 100 - 240VAC+/-10%, 50/60Hz : Approximately 13VA (maximum of 18VA) when at 100V Approximately 27VA (maximum of 32VA) when at 240V (When optional heater is installed consumption will be approx. 38VA.)</p> <p>Weight : - Transmitter ; approx. 2.2 kg - Detector section ; approx. 26 kg</p> <p>External Dimensions : - Transmitter ; approx. 181(W)x180(H)x95(D) (mm) - Detector ; approx. 307(diameter)x577(L) (mm)</p> <p>Construction : Transmitter ; die cast aluminium Materials Detector ; die cast aluminium</p> <p>Surface Finish : Metallic silver</p> <p>Electrical Connections : - Transmitter ; 6 cable glands for 6 - 12mm diameter cable, G1/2 threaded connections when gland removed. - Detector ; 1 cable glands for 6 - 12mm diameter cable, G1/2 threaded connections when gland removed. 3 spare electrical connections (G1/2 stop plug)</p> <p>Connecting Cable Lengths : - Transmitter to detector ; max 100m (power and communication cable) - Transmitter to receiving device ; max 100m (digital communication)</p>
---	---

**Principle of Operation**

The reflectance of light from an oil film is greater than that of water. When an oil film is present on a water surface, it generates a "glistening" effect. From this property, the presence of oil can be detected by applying a light beam of constant intensity to the water surface and then measuring the intensity of the reflected light.

The detector contains a semiconductor laser diode, a laser scanner, reflecting mirror and a photodiode light sensor. The light output from the laser tube is scanned across the water surface periodically across the x-y axis.

The light that is reflected back by the water surface is captured by a parabolic mirror and focused on to a sensor located at the focal point of the mirror. The signal from the light sensor is processed by the micro electronics in the transmitter. From the processed signal it can be determined whether an oil film is present or not. The transmitter provides output signals indicating the detection status such as contact switching signals, analogue signals etc..



Light receiving of the borrowed light

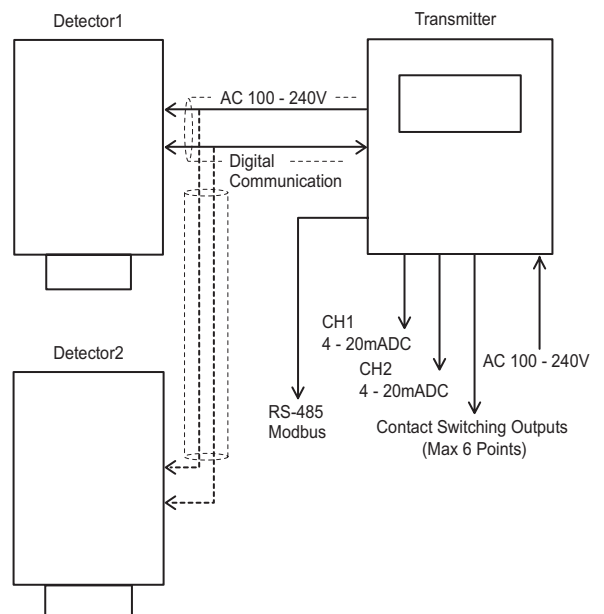
**System Configuration**

The instrument comprises a detector and transmitter. The detector and transmitter continuously communicate. The raw detection signal, reflected light intensity data and diagnostic information are sent from the detector to the transmitter.

The transmitter displays information about the status. It also generates analog and alarm contact output signals to transmit this information to external devices.

The operating-parameter settings specified on the transmitter are also applied to the detector.

When a single transmitter is shared by 2 detectors, the transmitter communicates with each detector separately. It also provides individual analog and alarm contact output signals for each detector (maximum of 6 contacts). These signals are used to transmit instrument data.



## Transmitter Functions

### (1) Display

The transmitter displays information on calibration, oil film detection status, raw light intensity, selfdiagnostics and error conditions.

### (2) Oil Detection Modes

The transmitter allows the detector to be set up for particular water surface conditions such as still, smooth surfaces or unstable surfaces with waves and bubbles etc.. The transmitter allows the operator to establish a suitable set up for the particular installation conditions.

### (3) Analogue Output Signals

The reflection light intensity detected from water surface is output to 4 - 20mA of analogue signal seale. By utilizing burn-out function built in transmitter, oil alarm and abnormal signal can be output at the out of the scale range such as 21mA and 3mA. It is possible to transmit the signal of occurrence of alarm and abnormal on the top of detecting condition status under normal operation through one analogue output line.

### (4) Contact Switching Output Signals

A total of 6 contact switching signal are available.

The transmitter can generate a total of 6 alarm contact output signals.

The available signals are as follows : - Oil film detection.

- Under maintenance (ST-BY mode).

- Detection error (water surface detection error, reflected light error, ambient light error).

- Instrument malfunction (laser output trouble, internal temperature alarm).

- Power failure (open or closed contact available).

### (5) External Device Communication

Digital communication with external devices is available using Modbus protocol from the RS485 output signal.

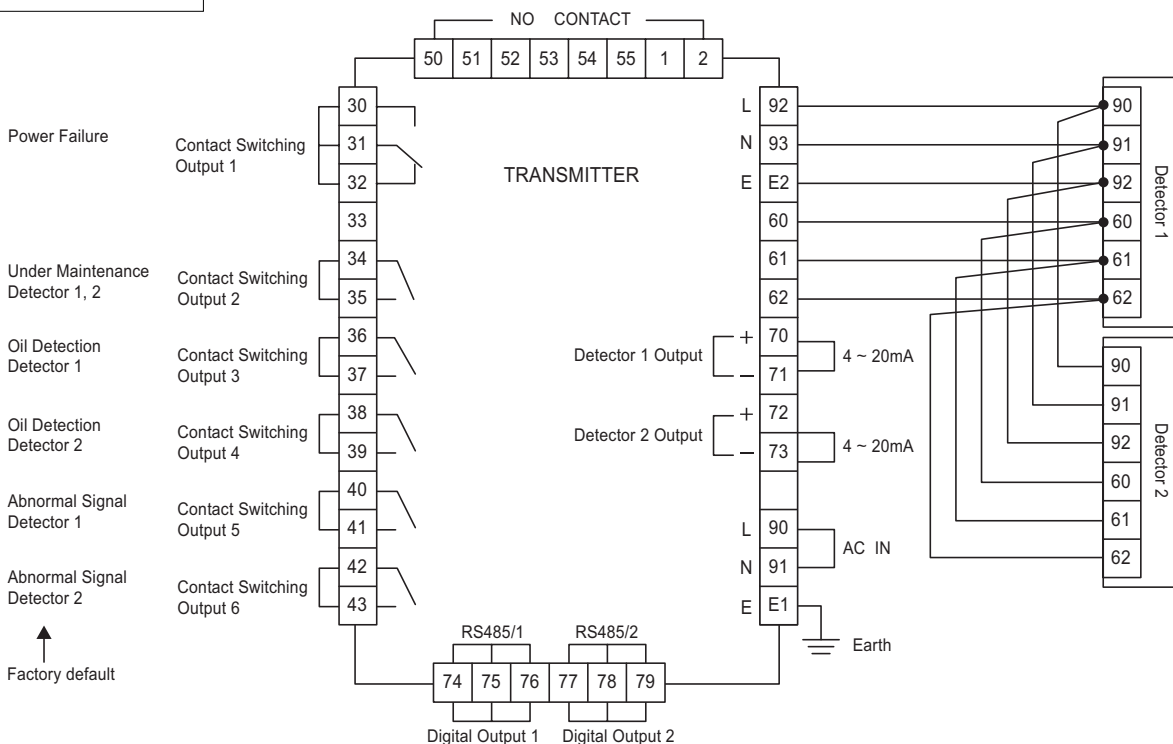
### (6) Optional Dual Detector Capability

It is possible to connect two detectors to a single transmitter enabling the monitoring of 2 different locations simultaneously.

### (7) Detection History Stored in Memory

Up to 10 items of oil-on-water alarm history (ALM LOG) and 10 items of abnormal alarm history (ERR LOG) can be stored in memory. The detection parameters (the number of high peaks within a fixed period and the peak value of duration) are stored separately in the memory with the data and time of detection as oil-on-water detection history, even when the oil-on-water alarm is not activated. This data can be re-called by the operator. The history data can provides useful information for fine-tuning the sensitivity settings for oil film detection and other detection modes.

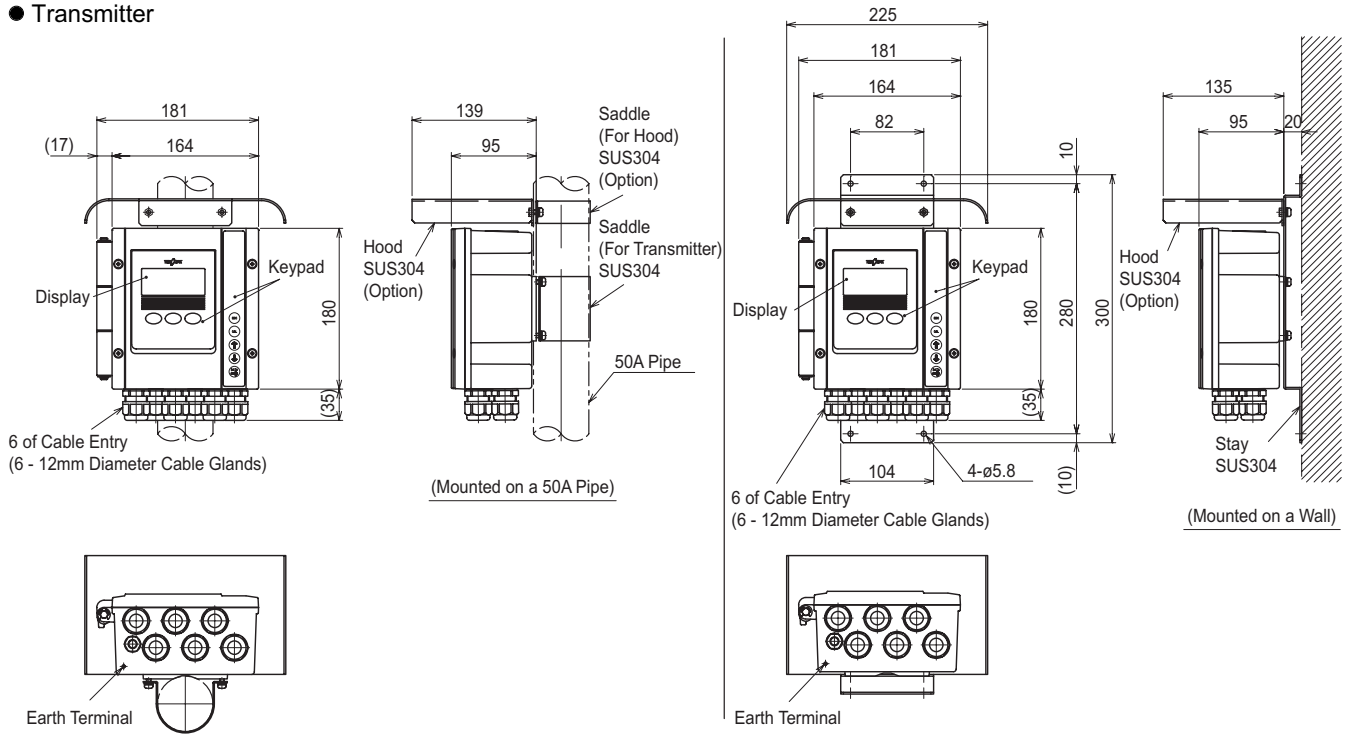
## Terminal Connections



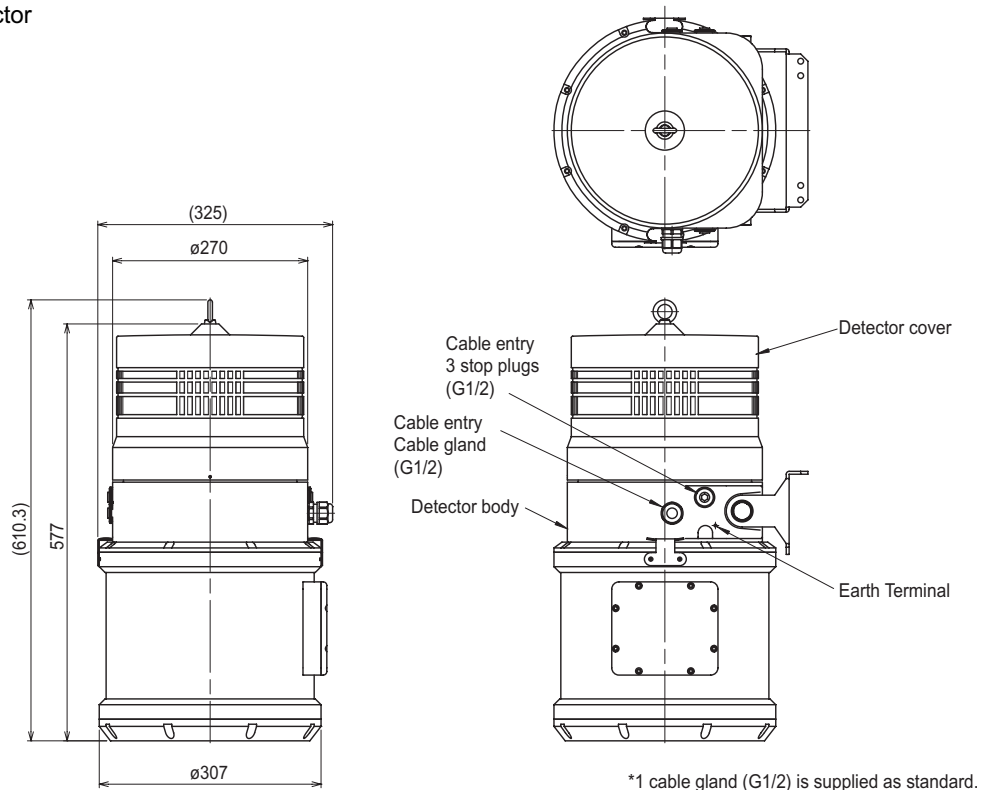
Detector 2 Connects to Terminals of Detector 1

**Dimensions** Unit : mm

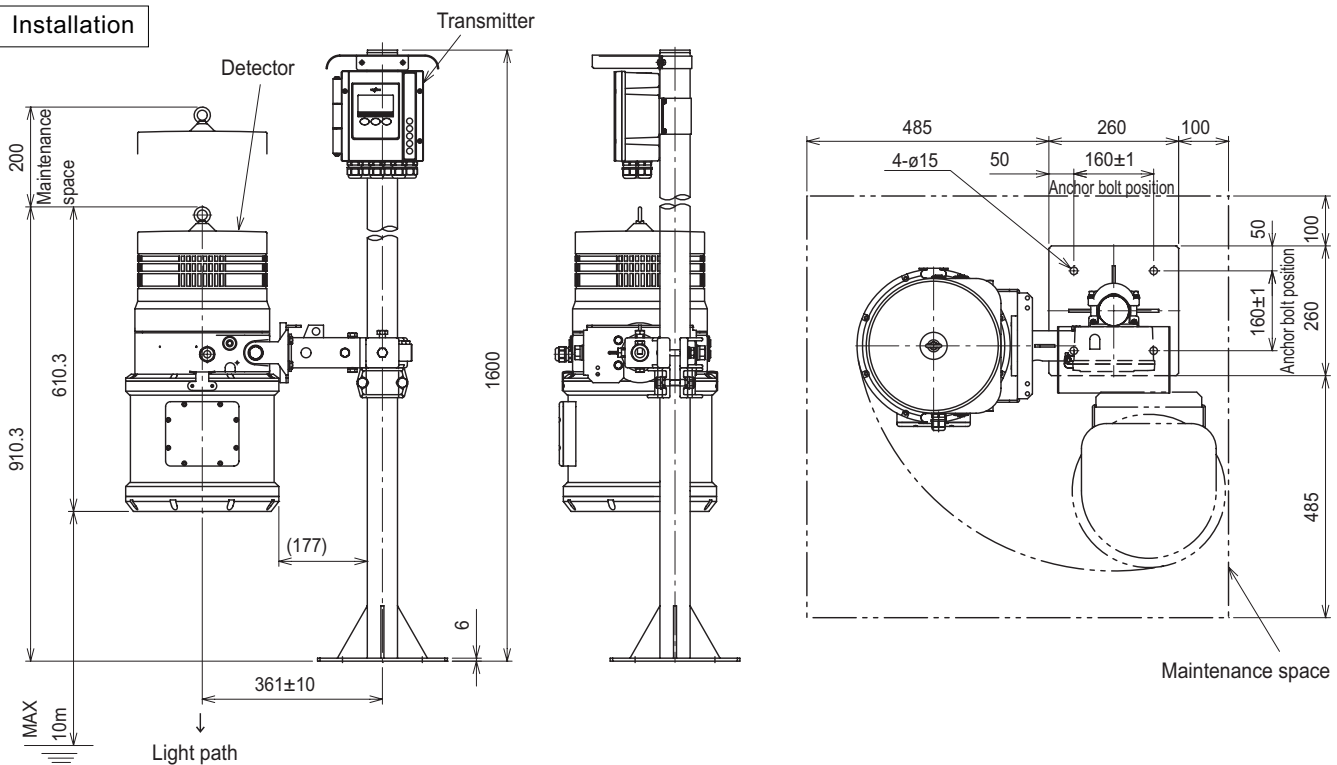
● **Transmitter**



● **Detector**



## Installation



## Installation Conditions

1. Ideally, the device should be placed as close as possible to the surface of the water. However, do not place the detector with less than 0.3m of the surface. A sufficient amount of distance between the detector and the surface of the water must be maintained to protect the detector window on the bottom from being hit by splashes of water during heavy rain. In addition, make sure to consider potential fluctuations in the water level when selecting an installation location. The sensor distance must always lie within the specified range (0.3 - 10 m).
2. Install the analyzer at a location where the water flows smoothly. Avoid locations where there is turbulence.
3. Install the analyzer at the location where the monitoring surface will not be subjected to direct rainfall or direct wind disturbance, because a severely rippled water surface may make it difficult for oil film detection. For such locations, protection against direct rainfall or wind disturbance will be required.
4. Avoid installing the detector in locations where dead leaves or other debris may accumulate on the water surface. These may affect water flow characteristics and cause detection problems.
5. Install the detector at the place where the surveillance water surface area is not exposed to direct sun light. There is possibility that it generates abnormal signal by reflection of sun light. Shade direct sun light with cover and etc. in such case.
6. It is recommended to use optional sun shade at the place where is high ambient temperature and exposed with direct sun light.
7. Install the instrument in a location where vibrations and mechanical shocks are minimised. Secure a space around the analyzer and scaffolding if necessary for a safe and easy access during maintenance.
8. Avoid locations where there is rising mist due to high water temperature. If this is unavoidable, supplying a gentle airflow will effectively clear the vapour away.
9. If using the instrument to monitor liquid leakage on dry surfaces (such as floors etc.), ensure that the surface is horizontal. A sloping surface will not reflect the light from the laser beam correctly and cause detection problems. Select a part of the surface where any leaked liquid will form a smooth liquid film. If the dry surface is excessively shiny, place a non-reflective surface over it such as a black rubber mat etc..
10. In case that the main power supply fluctuates by large-capacity power apparatuses greatly, we recommend installing the relay with the timer in the socket of the point of contact output.

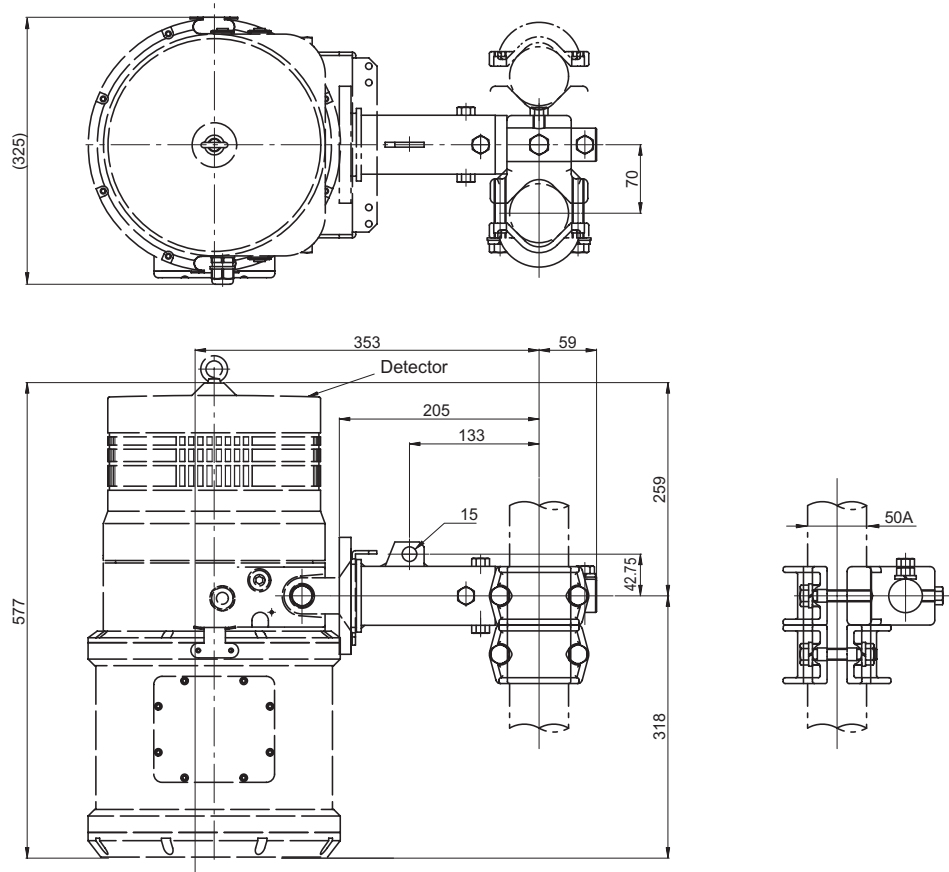
### Note: Water surface conditions

When conducting optical measurements, ripples on the surface of the water surface can cause light to scatter. As a result, the intensity of the reflected light will fail to reach 100% of its normal intensity level. This is especially true when there is a significant amount of distance between the sensor and the surface of the water. We recommend you to take adequate measures to avoid this problem.



Dimensions Unit : mm

● Mounting Bracket



**DKK-TOA CORPORATION**



Do not operate products before consulting instruction manual.

International Operations:  
DKK-TOA Corporation  
29-10, 1-Chome, Takadanobaba, Shinjuku-ku,  
Tokyo 169-8648 Japan  
Tel : +81-3-3202-0225 Fax : +81-3-3202-5685