

# Fixed Type Combustible Gas Detector Head

**GD-D58 series**  
**SD-D58 series**  
**RP-D58 series**

\*RP-D58 is explosion proof pump unit

| Specification             |                                  |
|---------------------------|----------------------------------|
| Model                     | GD-D58/SD-D58                    |
| Detection principle       | Catalytic combustion/New ceramic |
| Gas to be detected        | Combustible gases and vapors     |
| Detection Method          | Sample drawing                   |
| Operating temperature     | -20 to +53°C                     |
| Operating humidity        | 0-95% RH, Non-condensing         |
| Explosion-proof structure | Flame-proof enclosures           |
| Explosion-proof class     | ExdIIB + H2 T4                   |
| Dimension                 | 197 (W) x 286 (H) x 140 (D) mm   |
| Weight                    | Approx. 5.8 kg                   |



## APPLICATION

- LPG, LNG utilities
- Petro-refinery, Petrochemical plants
- Chemical plants
- Iron and steel works
- Engineering, public works
- Power station

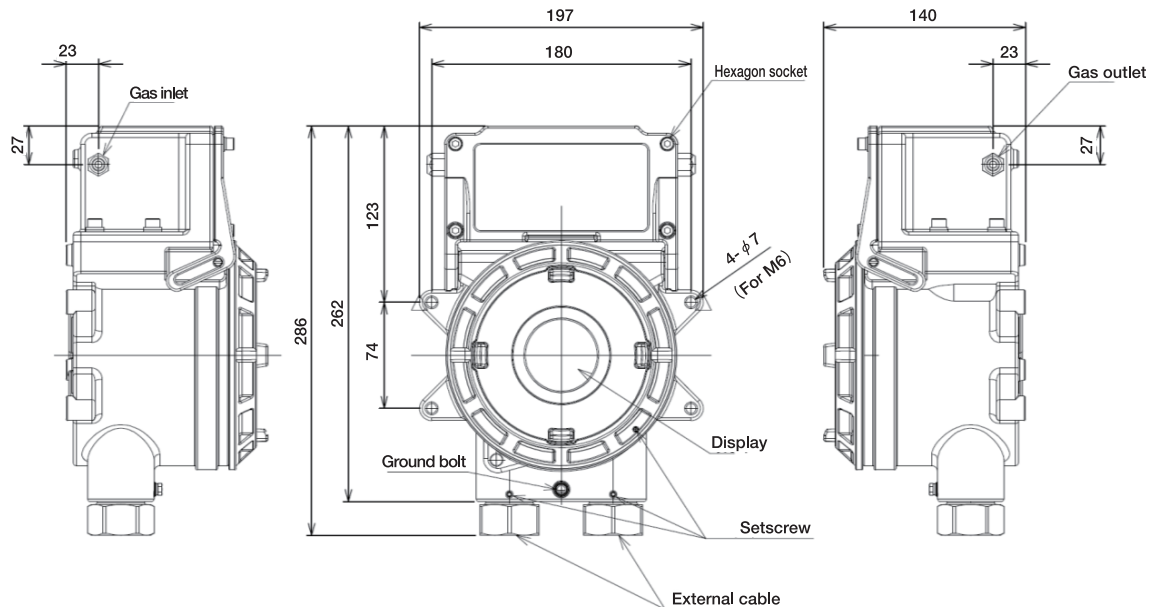
## FEATURE

- Explosion proof design
- CE approved
- Diverse flammable gas vapor detectable
- Long life sensor and sampling pump
- Various sampling accessories
- Plug-in sensor replacement and easy maintenance

## Specification

| Model                       | GD-D58 AC  | GD-D58 DC  | SD-D58 AC  | SD-D58 DC  |
|-----------------------------|--|--|--|--|
| Flow rate                   | 1.5 L/min or more<br>(at maximum suction pressure of 5.3 kPa <gauge pressure>)   | 1.0 L/min or more<br>(at maximum suction pressure of 5.0 kPa <gauge pressure>) | 1.5 L/min or more<br>(at maximum suction pressure of 5.3 kPa <gauge pressure>) | 1.0 L/min or more<br>(at maximum suction pressure of 5.0 kPa <gauge pressure>) |
| Power display               | POWER lamp on (green)  |  |  |  |
| Fault alarm /self diagnosis | System abnormality/low flow rate   |  |  |  |
| Fault alarm display         | FAULT lamp on (yellow)   |  |  |  |
| Fault alarm pattern         | Non latching (Auto-reset)  |  |  |  |
| Transmission system         | Sensor direct output   |  |  |  |
| Transmission cable          | CVV, etc. (1.25sq) – 6-core  |  |  |  |
| Power supply                | 100-110VAC +/-10%,<br>50/60Hz  | 24VDC +/-10%   | 100-110VAC +/-10%,<br>50/60Hz  | 24VDC +/-10%   |
| Power consumption           | Max. 13 VA   | Max. 8.6 W   | Max. 13 VA   | Max. 8.6 W   |
| Cable connecting port       | Pressure proof packing gland<br>(Compatible cables $\phi$ 12 mm in outer diameter and rubber seals $\phi$ 12.5 mm in inner diameter <mounted>) |  |  |  |
| Tube connecting port        | Rc 1/8 (O.D. $\phi$ 8-1t half-union for Cu tube <Bs> supplied or half-union for SUS tube <SUS>)  |  |  |  |
| Structure                   | Wall mounting type (2B <50A> pipe installation supported), drip-proof and dust-proof performances (compliant to IP67 level)                    |  |  |  |
| Outer color                 | Munsell 7.5BG5/2   |  |  |  |

## Outer dimensions



★ Distributed by:

**RIKEN KEIKI Co., Ltd.**

2-7-6 Azusawa, Itabashi-ku, Tokyo 174-8744, Japan

Phone : +81-3-3966-1113

Telefax : +81-3-3558-9110

E-mail : [intdept@rikenkeiki.co.jp](mailto:intdept@rikenkeiki.co.jp)

Web site : <http://www.rikenkeiki.co.jp>